

小型立式打包机

Small Vertical Balers

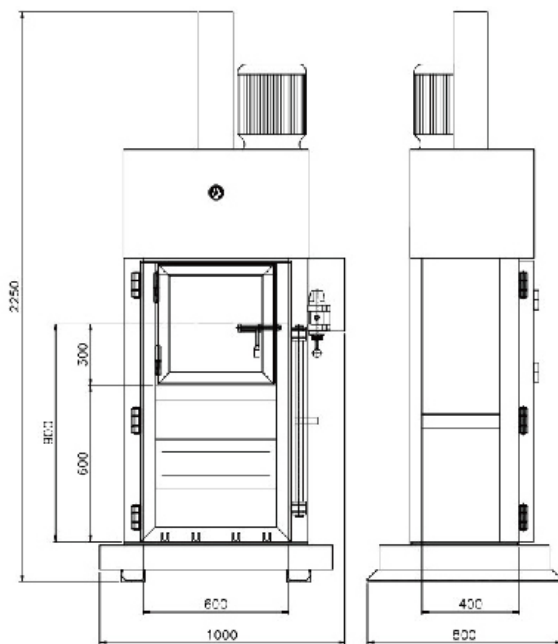
适用范围

专门用于打包生活垃圾，废纸，废塑料，废旧棉纱等，被广泛用于工厂，船舶，宾馆以及旅游度假区

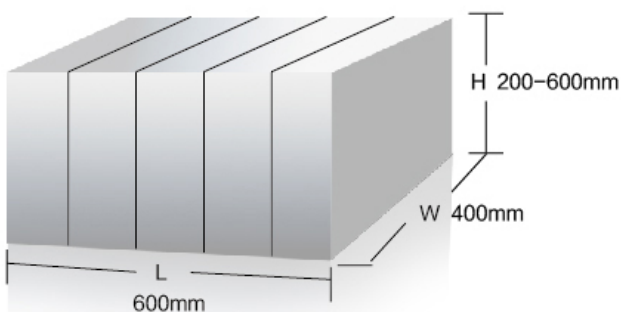
Usage

Specially used for compressing the waste like food residue, paper, plastics and textile etc. which widely applied by the vessels, hotels, resorts and factories etc.

Diagram (Model SX-100LA6040)



Bale Size (Model SX-100LA6040)



参数 Specifications

机器类型 Machine type	小型立式打包机 Small Vertical Balers			双腔打包机 Twin Chamber Balers
型号 Model	SX-50LA6040	SX-100LA6040	SX-200LA8060	XTY-30L7050-D
压力 Pressure	5tons	10tons	20tons	3tons
加料口尺寸 (L × H) Feed Opening Size (L×H)	600 × 400mm	600 × 400mm	700 × 400mm	700 × 500mm
压缩腔高度 Baling Chamber Height	1000mm	1000mm	1200mm	728mm
包块尺寸 (L × W × H, H可调) Bale Size (L×W×H, H is adjustable)	600 × 400 × (200-600)mm	600 × 400 × (200-600)mm	800 × 600 × (400-800)mm	700 × 500 × (150-400)mm
包块重量 Bale Weight	15-40kgs	20-50kgs	60-120kgs	30-60kgs
功率 Power	1.5kw	2.2kw	3kw	0.75kw
机器重量 Machine Weight	650kgs	800kgs	1000kgs	500kgs
机器外观尺寸 Machine Overall Dimension	900 × 570 × 2240mm	900 × 570 × 2240mm	1180 × 800 × 2550mm	1600 × 560 × 1750mm

机器特点

- 自动挂链出包，提高了工作效率
- 选配接液槽设计，适用于压缩打包有水分物料，确保水不流到地面上
- 采用开门停机设计，使机器更安全可靠
- 装配急停按钮，单独安装，位置醒目，使操作更安全
- 采用欧美标准的防弹门结构，能保护操作者的安全
- 装配自动平衡装置，避免因放置物料不当产生意外
- 采用日本进口NOK密封圈，使用寿命更长
- 采用日本A.M.C油管接头，确保不漏油
- 独特的电机和泵的直叉连接，保证泵和电机100%同心，替代了一般的联轴器联结方式，提高了泵的使用寿命



双腔打包机
Twin Chamber Baler

Features

- Automatic chain bale ejector for quickly and easily ejecting the bales from the machine
- Bottom liquid receiver is optional for collecting the liquid from the compressing materials
- The ram will stop running downwards when the feeding gate is opened which ensures the safety of the operation
- Equipped with independent emergency stop for safe operation
- Equipped with Euro and U.S standard anti-rebound gate structure which makes sure the safety of operation
- Special ram guides design makes the platen not slope because of uneven materials feedings during compression
- Equipped with NOK seals that imported from Japan means longer lifespan of the seals
- Equipped with A.M.C. oil pipe joints that imported from Japan ensures the machine far away from oil leakage problems
- Peculiar combination of motor and pump with direct-crossed connection makes sure 100 percent concentricity, which replacing the common coupling connection so that extend the lifespan of the pump